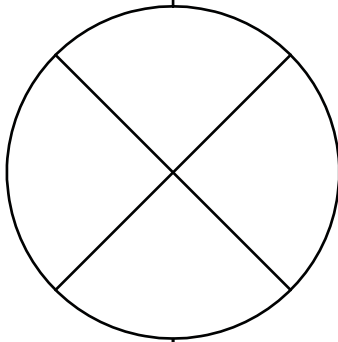


L



L

N

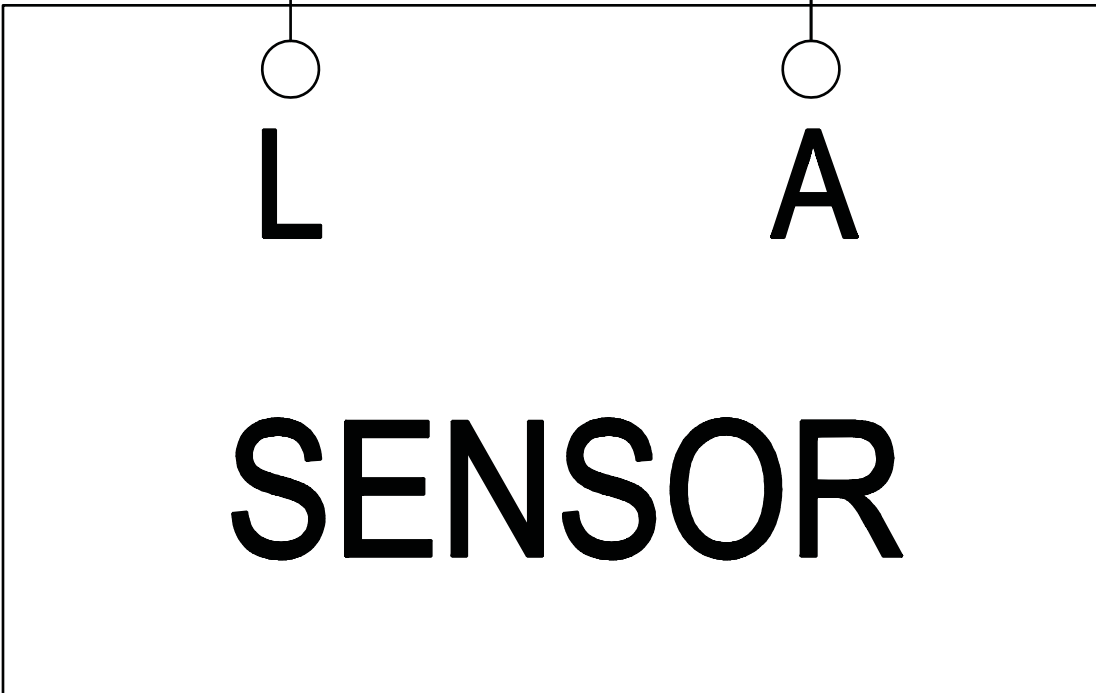


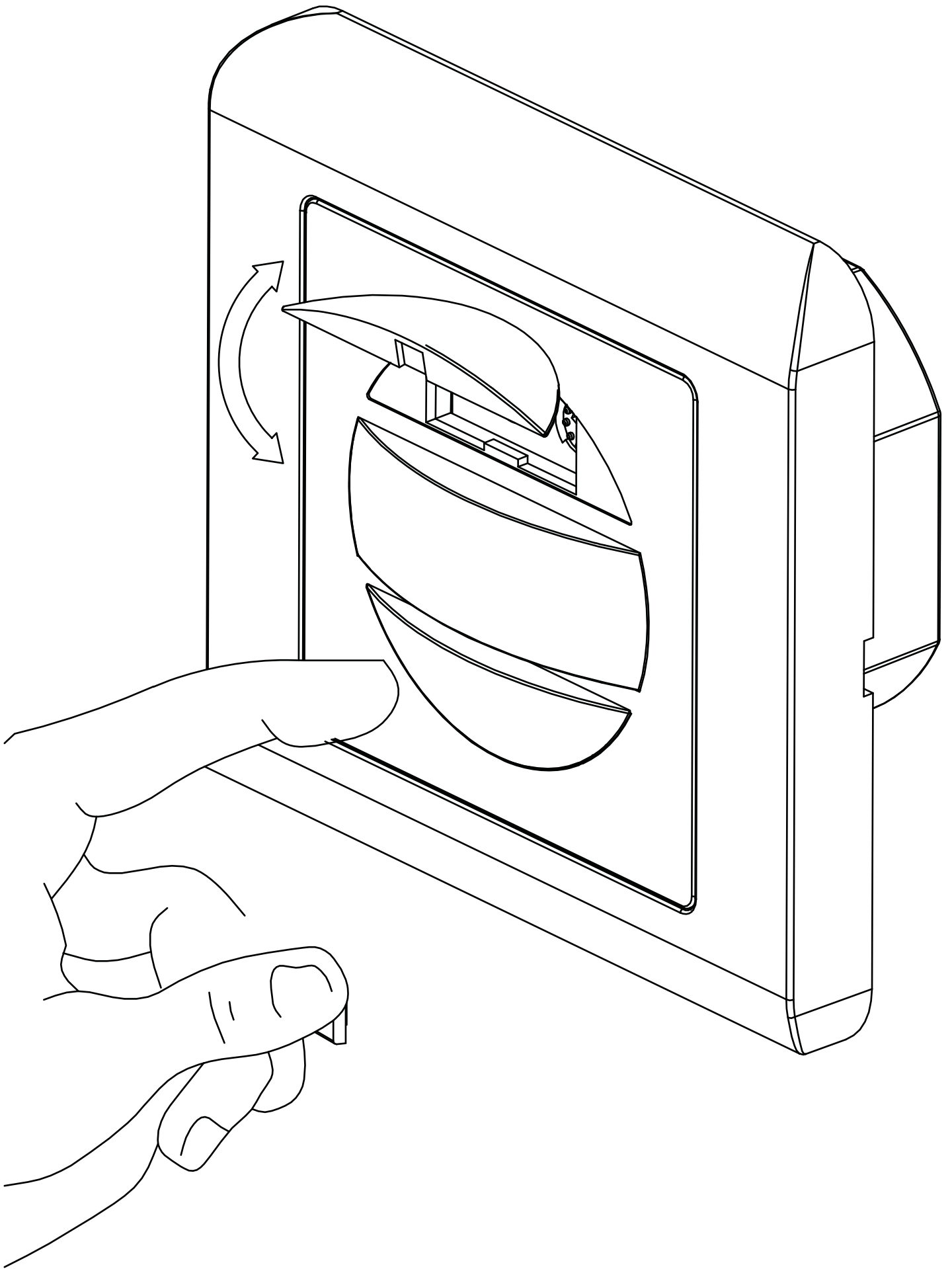
LOAD

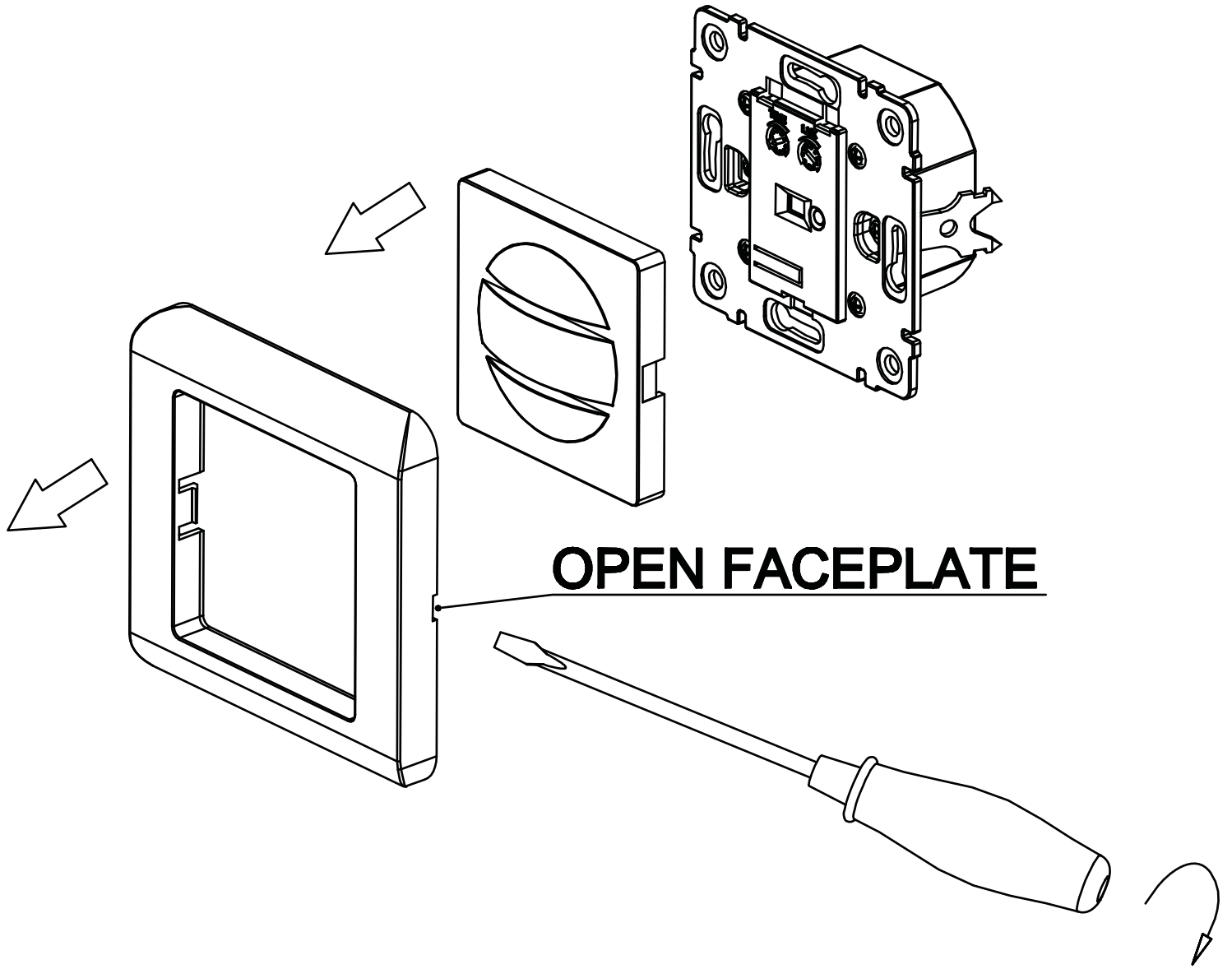


A

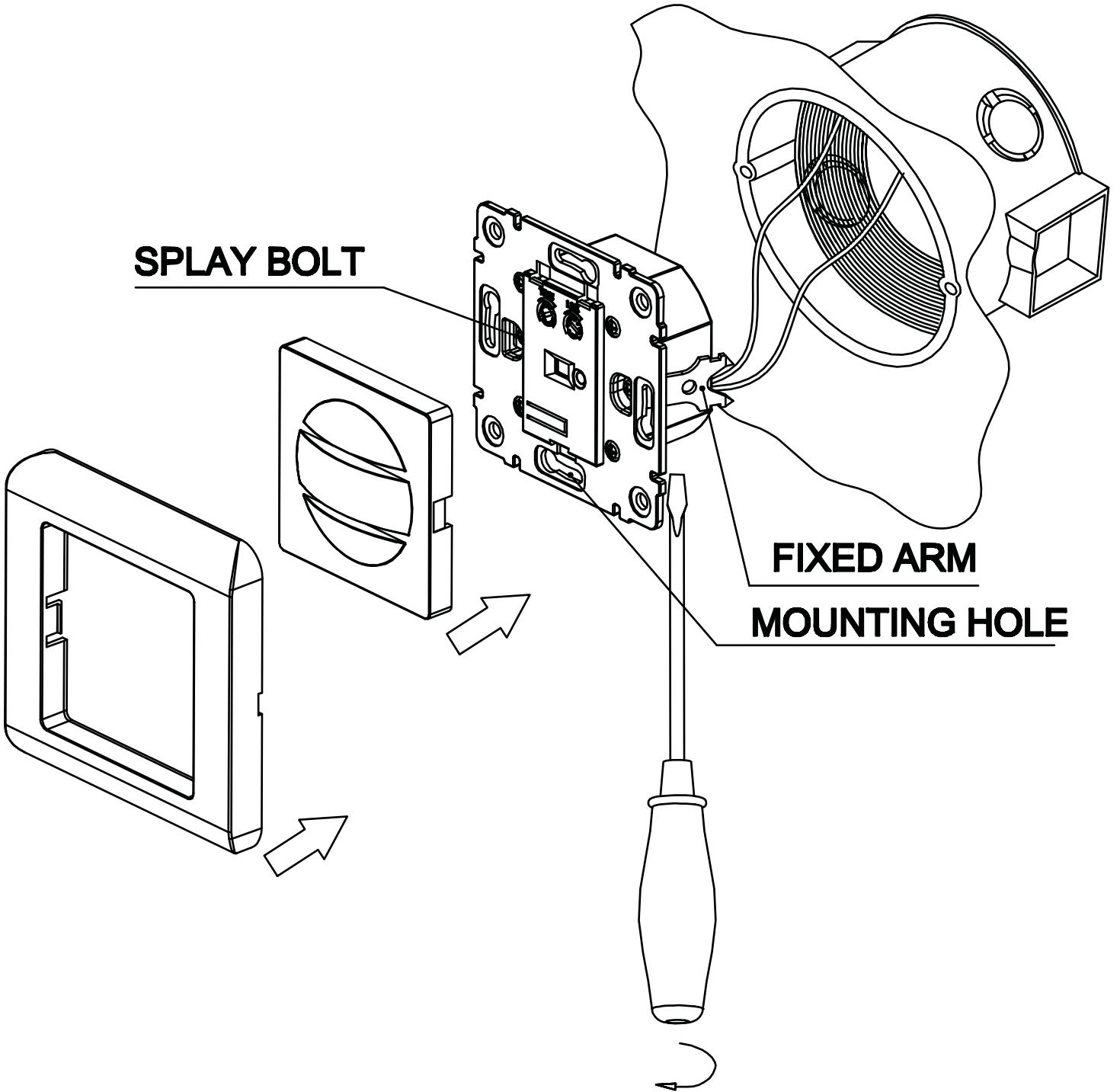
SENSOR







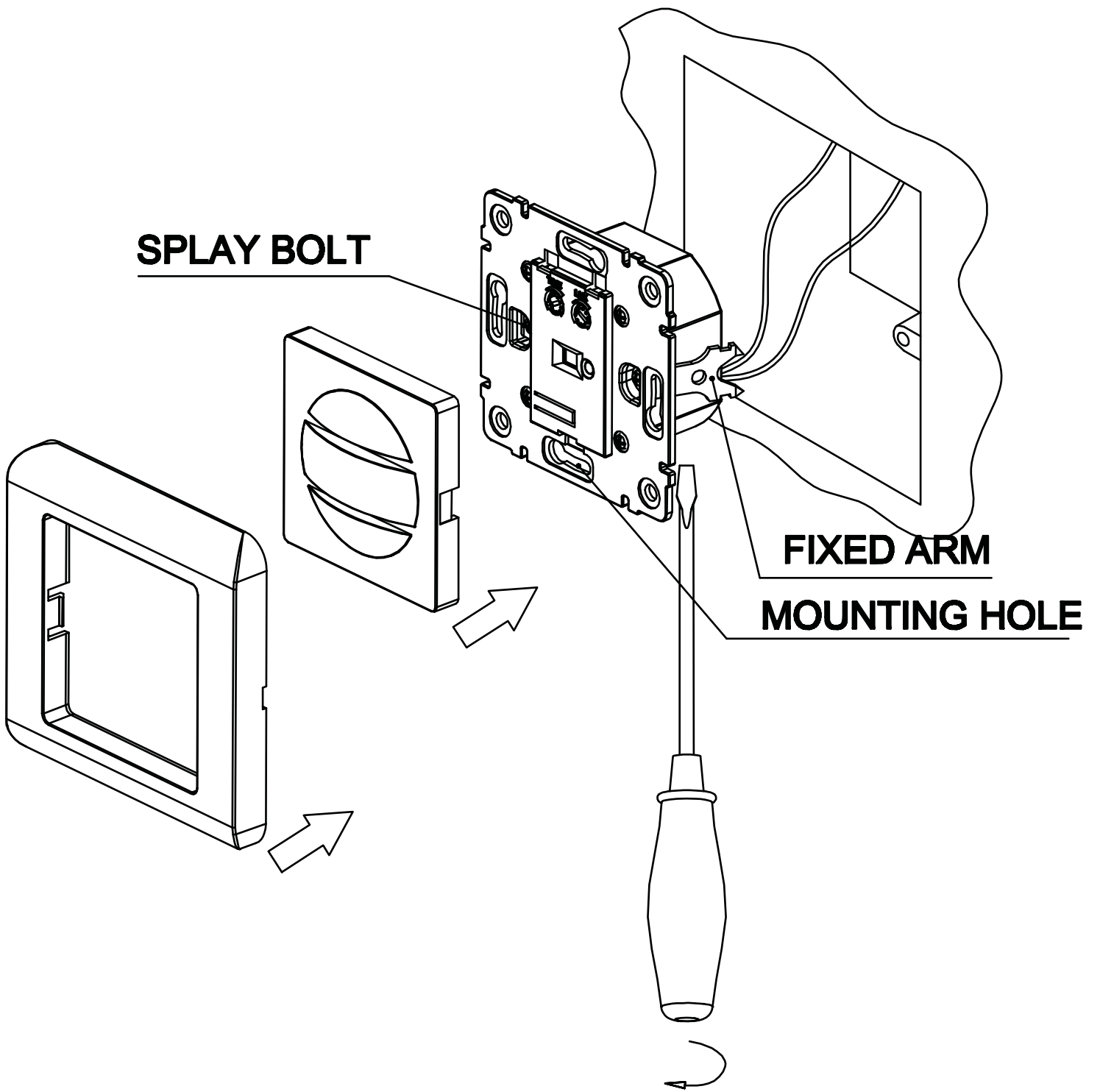
OPEN FACEPLATE



SPLAY BOLT

FIXED ARM

MOUNTING HOLE



SPLAY BOLT

FIXED ARM

MOUNTING HOLE

